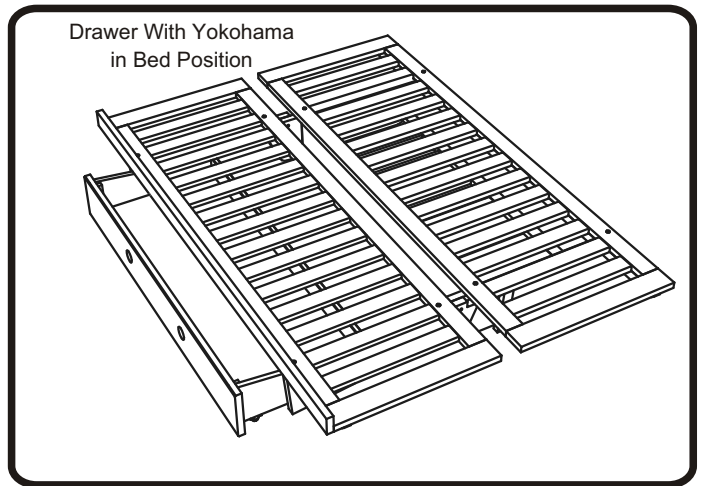
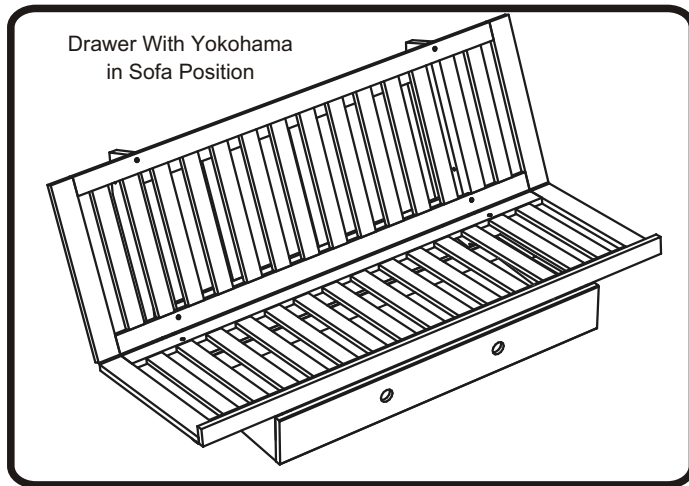
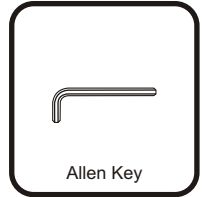
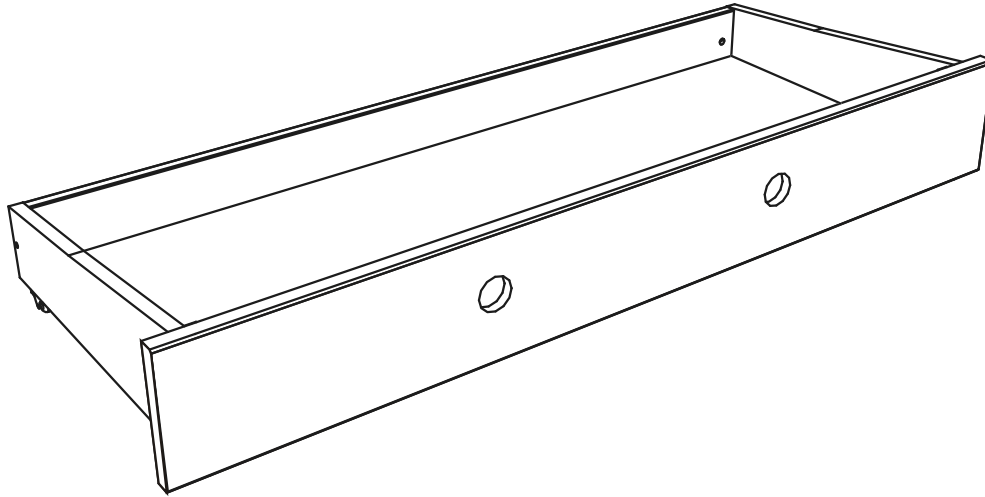




YOKOHAMA DRAWER

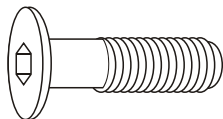
ASSEMBLY INSTRUCTIONS

Thank you for choosing our new bed frame. This practical design offers the utmost in versatility. Before assembling your Drawer, please read through these instructions carefully, familiarising yourself with the different parts.



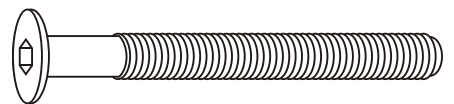
DRAWER WITH YOKOHAMA BED SHOWN COMPLETE ASSEMBLE

A



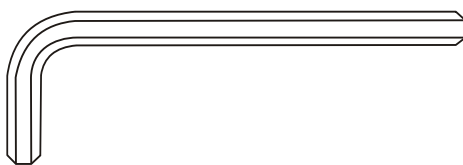
JCB M6 X 5/8" (15mm) - 4 pcs
Fix drawer side to drawer face

B



JCB M6 X 2 1/2 " (60mm) - 4 pcs
Fix drawer side to drawer back

C



Allen Key - 1 pc

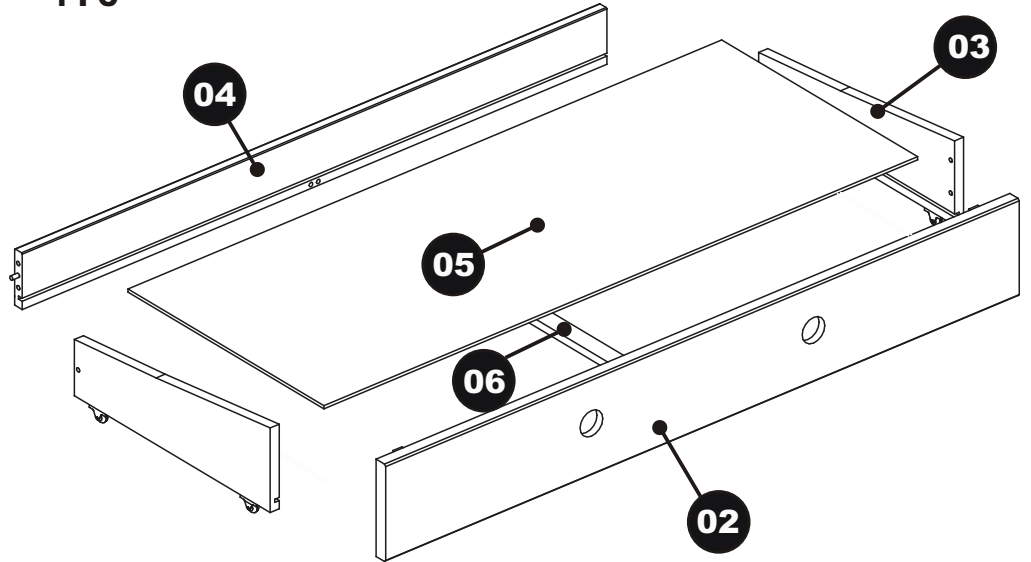
D



Cross Dowel - 4 pcs

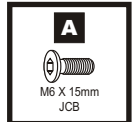
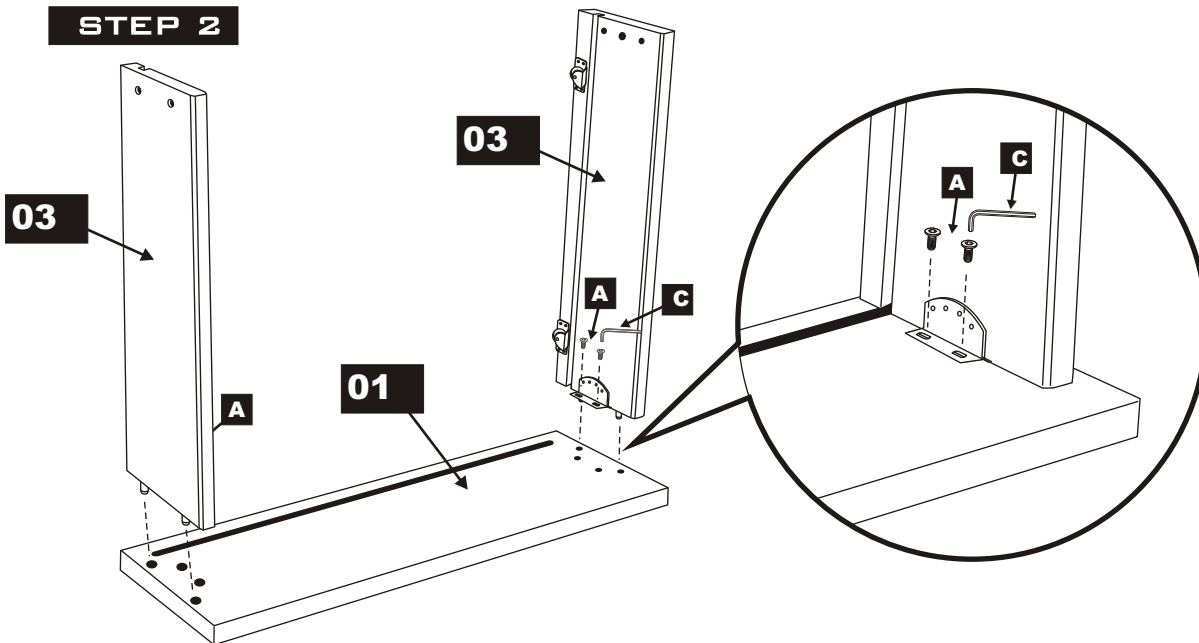
PARTS LIST

01	DRAWER FACE	1 PC
02	DRAWER FACE	1 PC
03	DRAWER SIDE	2 PCS
04	DRAWER BACK	1 PC
05	DRAWER BASE	1 PC
06	DRAWER BRACE	1 PC



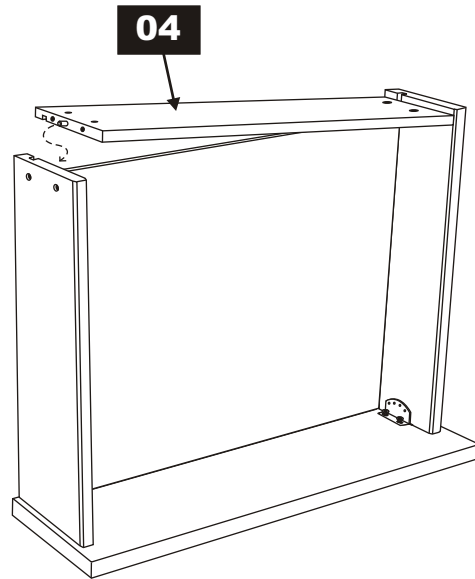
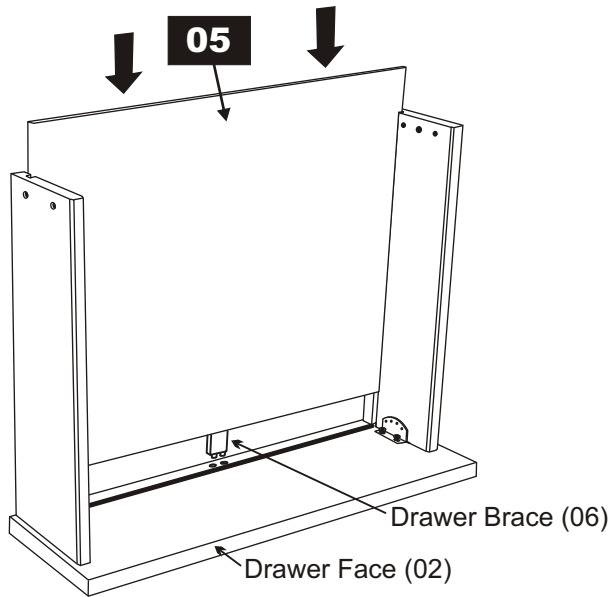
STEP 1

STEP 2



Lay the Drawer Face(02) on smooth, flat surface so the holes and groove are facing upwards.
Fit the Drawer Side(03) to Drawer Face(02), fitting the Dowels in the holes. Use JCB (B) to attach the Drawer Side in place, but don't fully tighten these yet. Leave them a bit loose to make fitting the Drawer Back easier.

STEP 3



Attach the Drawer Brace (06) into Drawer Face as shown. Guide the Drawer Base (05) in carefully so that it won't jump out of the groove. Be sure it fits fully into the bottom of the groove (in the Drawer Face) then attach the Back Panel (04)

You will need to spread the Drawer side apart a bit to fit the dowels in the Drawer Back into their holes, Do this gently, please! Remember the JCB in step 1 must be a bit loose. After this, tighten all the JCB on the Drawer Face

STEP 4

Carefully turn the assembled Drawer down, onto its wheels. Using the JCB (A) and Cross Dowels (C), tighten with the Allen Wrench (D).

