

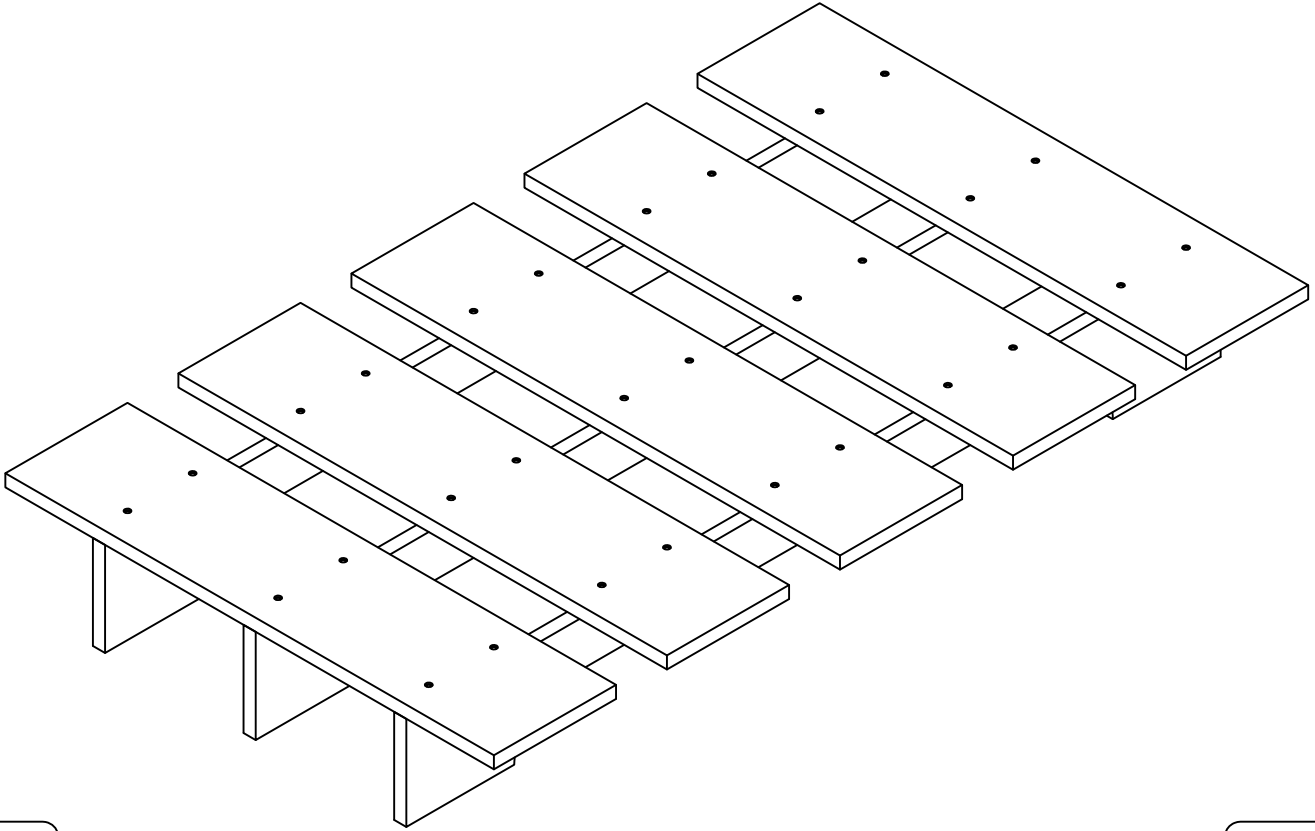
SUMATRA BED

ASSEMBLY INSTRUCTION

Thank you for choosing our new bed frame. This practical design offers the utmost in versatility. Before assembling your Sumatra bed, please read through these instructions carefully, familiarising yourself with different parts.



Instructions apply for all size of bed
90 > 120 > 140 > 150 > 160 > 180



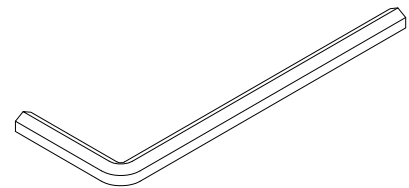
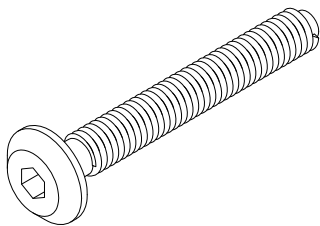
Assembly by Adult

Be sure the holes are free of wood chips and dust



Allen Key

HARDWARE



A Allen Bolt M6 x 50mm - 30 pcs

B Allen Key L4 x 20 x 55mm - 1 pc

PART LIST

1 HARDWARE

1 set ●

Box 1 of 2

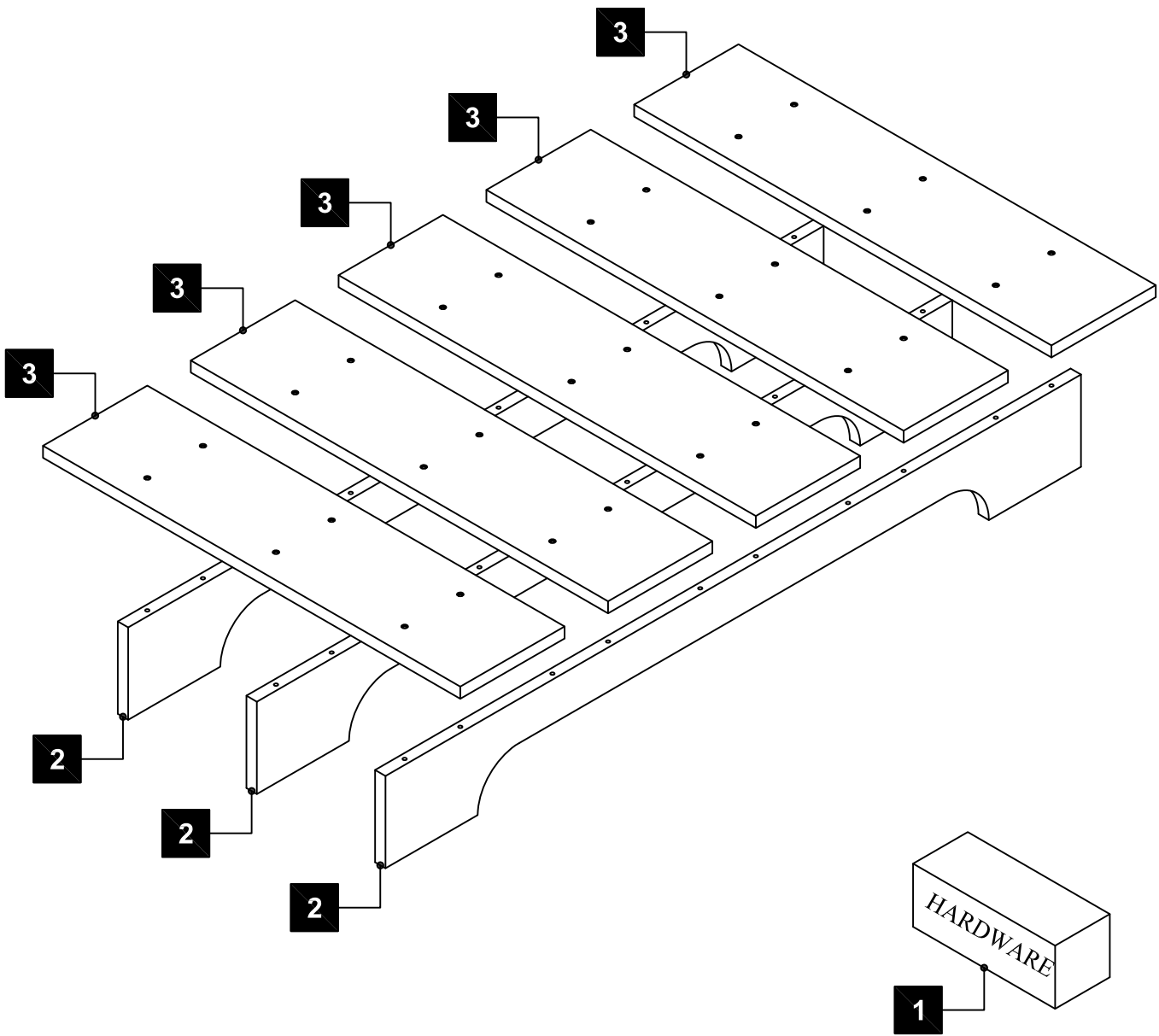
2 RAILS

3 pcs ●

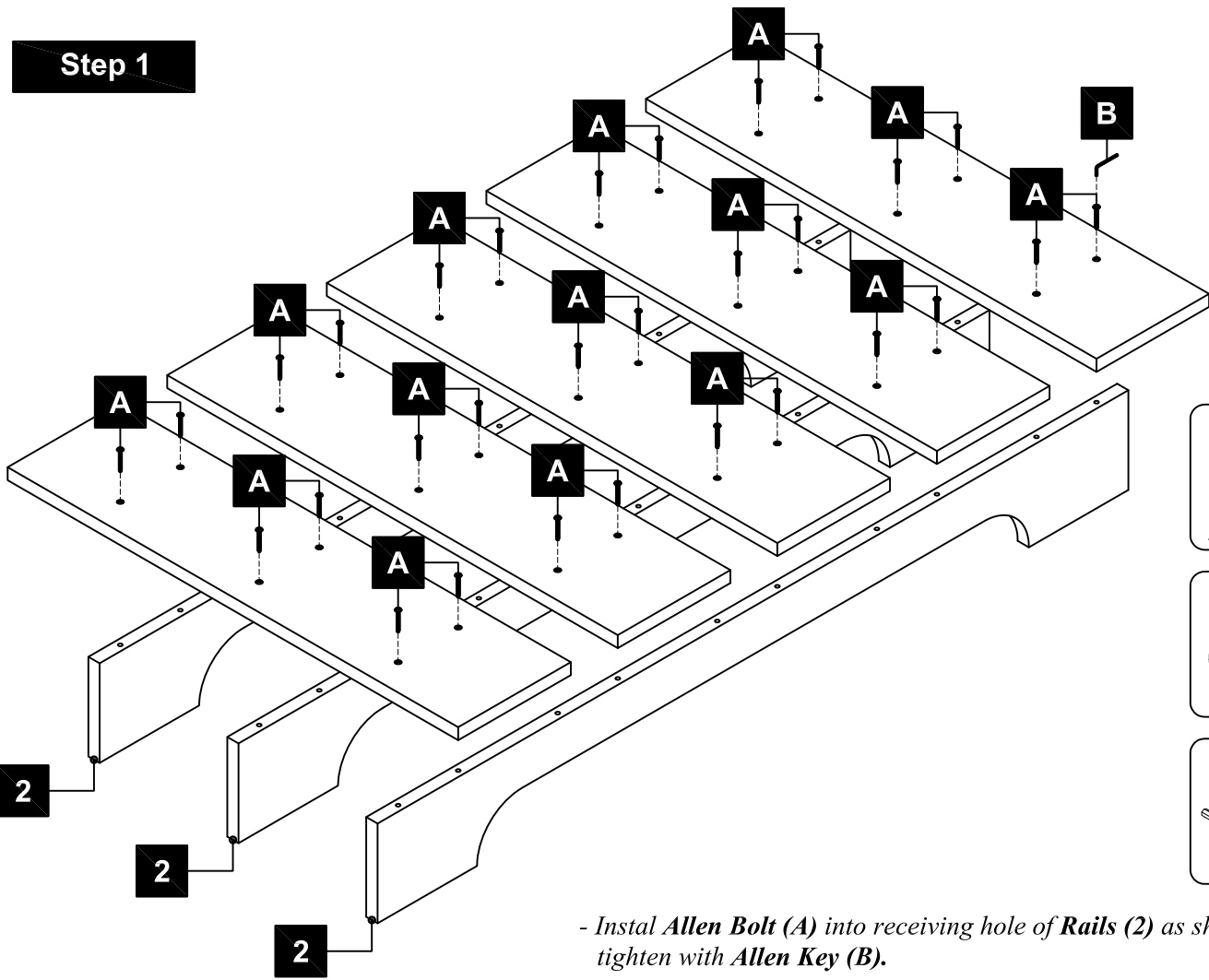
3 SLAT

5 pcs ●

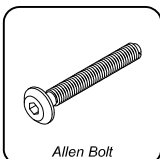
Box 2 of 2



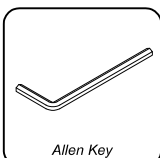
Step 1



Assembly by Adult



Allen Bolt



Allen Key

- Instal **Allen Bolt (A)** into receiving hole of **Rails (2)** as shown, tighten with **Allen Key (B)**.

Finish

